



THE



SMITH
COMPANY

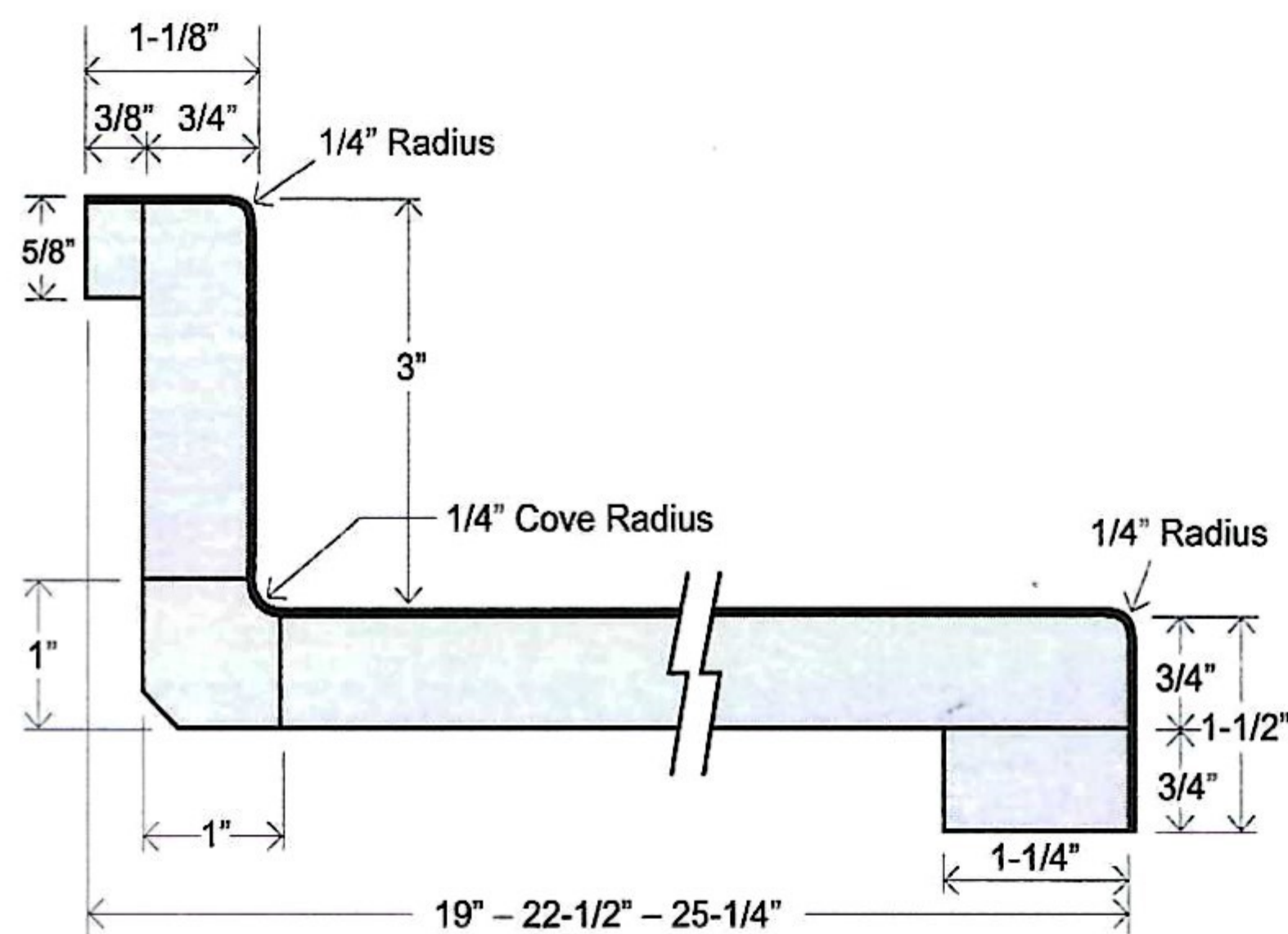
AEGEAN

The Aegean gives you a sleek, eased edge without the black line common to many laminate countertops. This clean edge beautifully complements both residential and commercial applications.

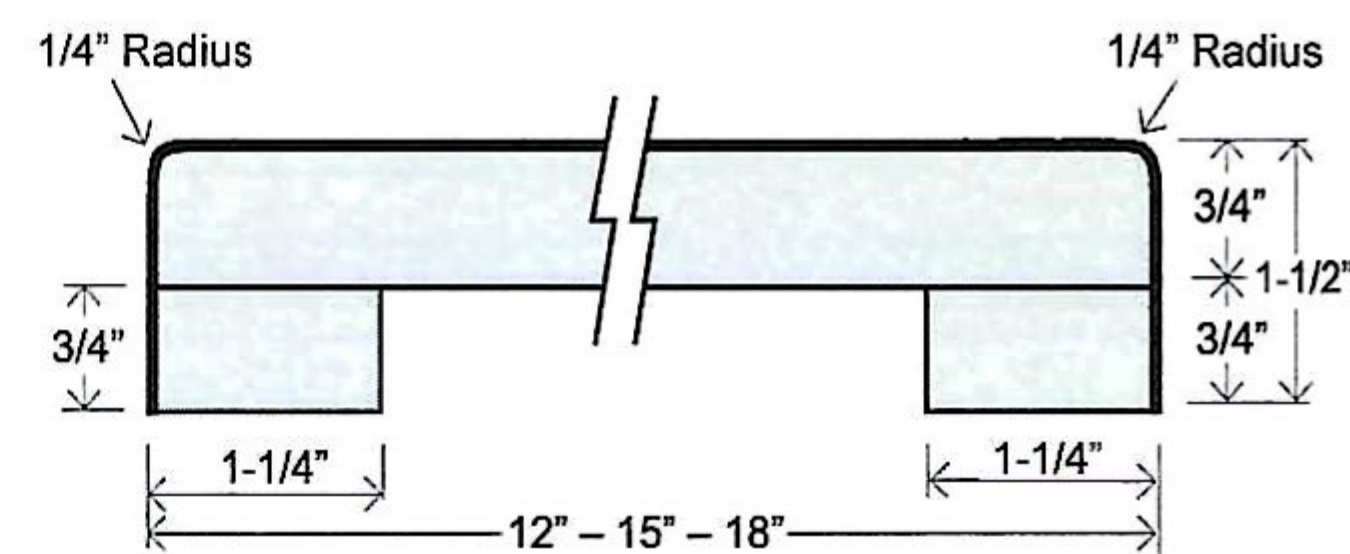


Features

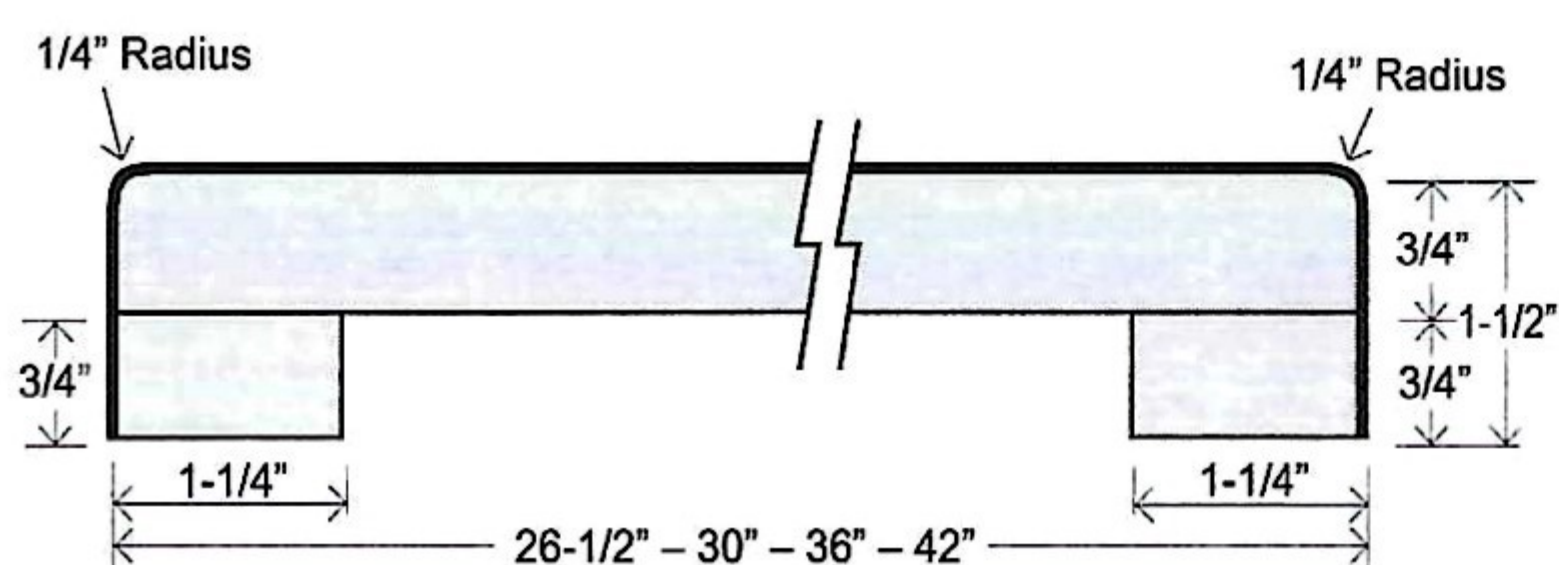
- 1/4" radius front nose 1-1/2" thick
- 1/4" cove radius for easy cleaning
- 3/8" MDF scribe for fitting out-of-square walls
- 1"x1" cove molding
- 1-1/4" front build-up for floating countertop installation
- 3" backsplash on kitchen and vanity tops
- 1/4" radius on both sides of all bars
- 1/4" radius front and unfinished back edge on flat deck tops



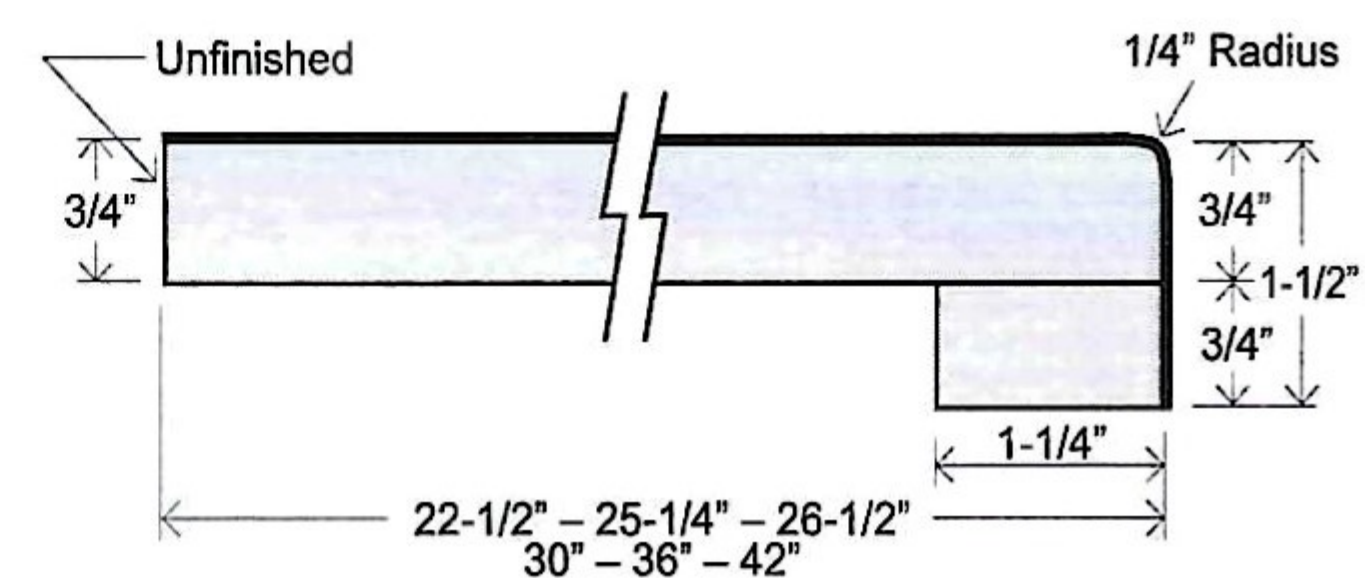
Kitchen & Vanity Top
ANV 19
ANV 22-1/2
ANK 25-1/4



Bar Top
ANB 12
ANB 15
ANB 18



Bar Top
ANB 26-1/2
ANB 30
ANB 36
ANB 42



Flat Deck Top
ANF 22-1/2
ANF 25-1/4
ANF 26-1/2
ANF 30
ANF 36
ANF 42

Exceptional quality laminate surfaces

For over 70 years, The L.E. Smith Company has worked hard to become one of the best laminate countertop manufacturers in the country. Today, that commitment is as strong as ever.

In addition to offering exceptional quality products, we are also committed to helping you improve profitability. A partnership with L.E. Smith means that you can focus on your highest profit return areas while we handle your laminate surface needs.