



ULTRA-TOP NO-DRIP

Ultra-Top No-Drip has been the top choice in the industry for over 40 years. This one has all the features built right in. A raised rolled edge on the front nose meets the needs of today's fast paced lifestyle. Beautiful and functional, it stops those messy spills from running down your cabinets and still looks fantastic!

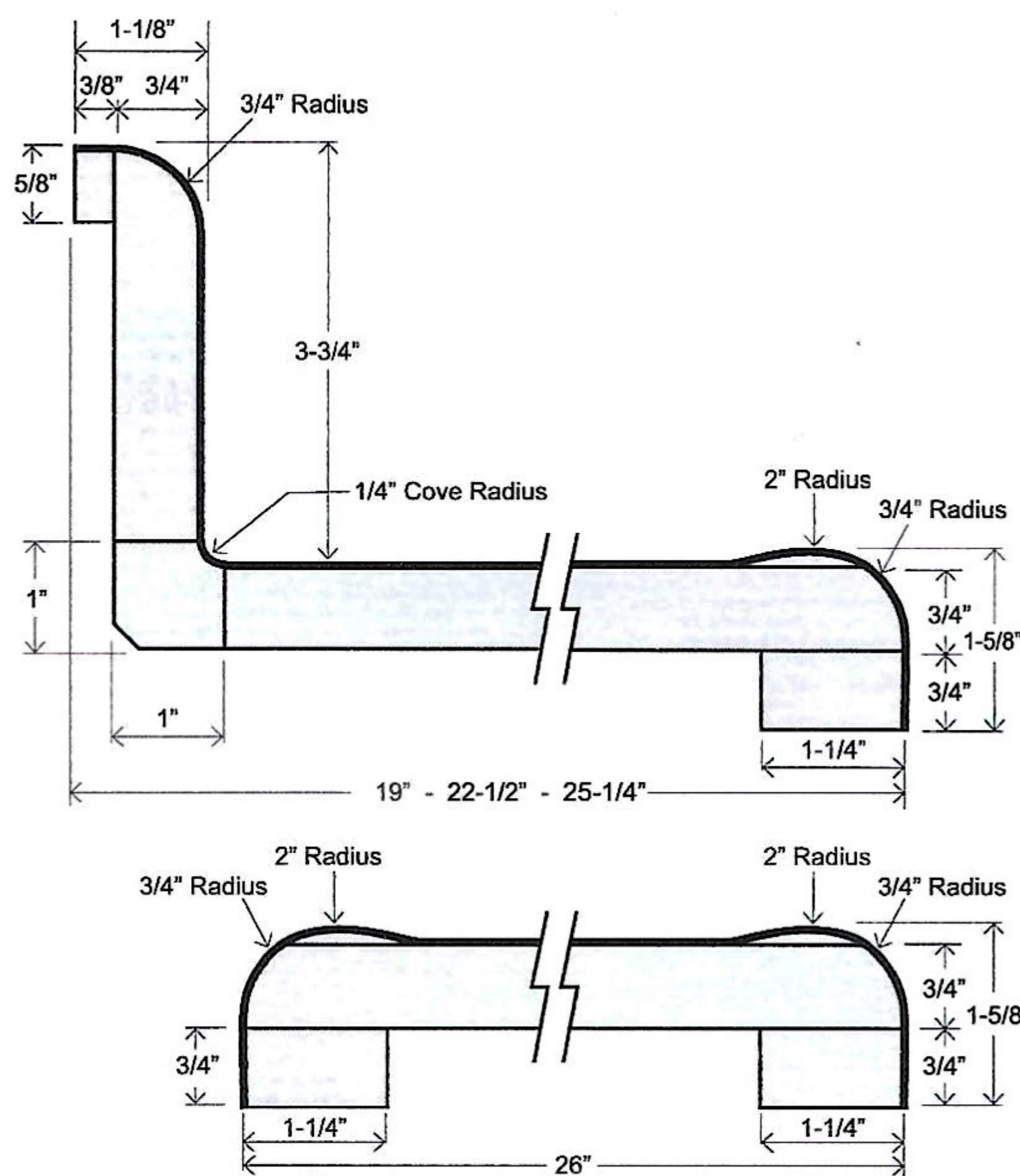


ULTRA-TOP NO-DRIP

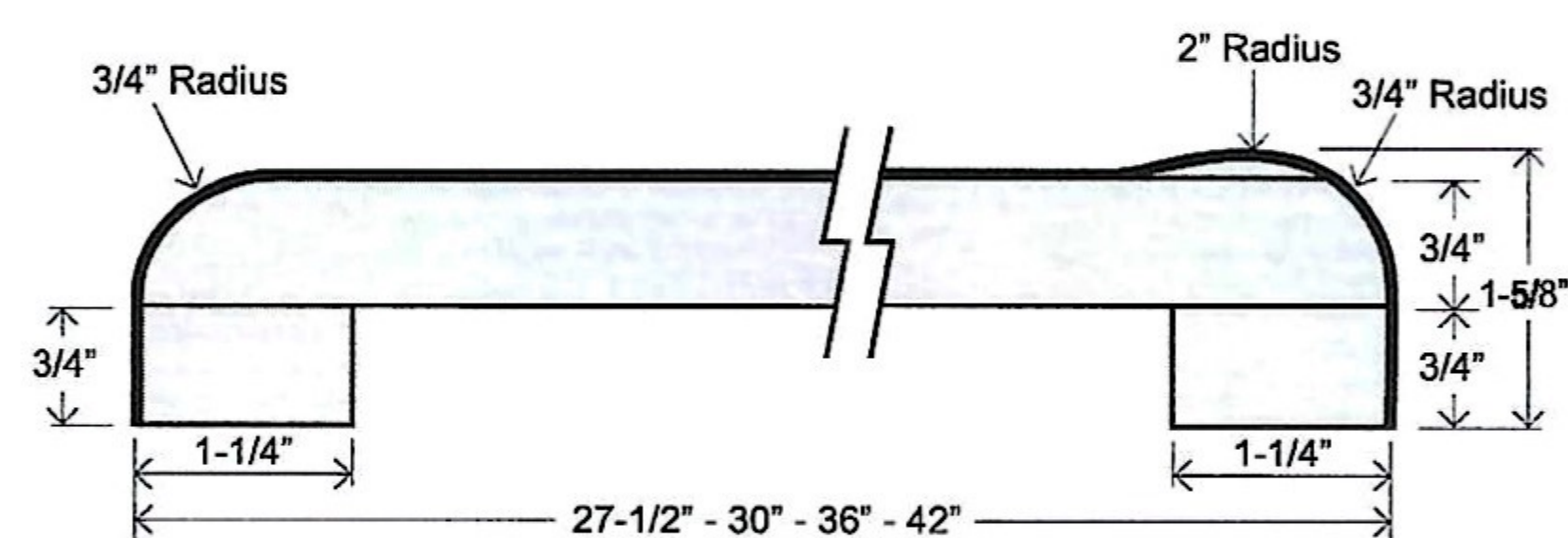


Features

- No-drip front nose, 1-1/2" thick
- 1/4" cove radius for easy cleaning
- Featuring 1"x1" cove molding
- 3/8" MDF scribe for fitting out-of-square walls
- 1-1/4" front build-up for floating countertop installation
- Kitchen and vanity tops feature 3-3/4" backsplash
- 26" standard bars are no-drip both sides
- Wide bars are no-drip one side with 3/4" roll radius back side
- Flat deck tops have no-drip front nose, unfinished back side
- Available with narrow 5/8" front build-up for nesting on cabinet installation (as shown on last illustration). Available in kitchen and vanity tops only

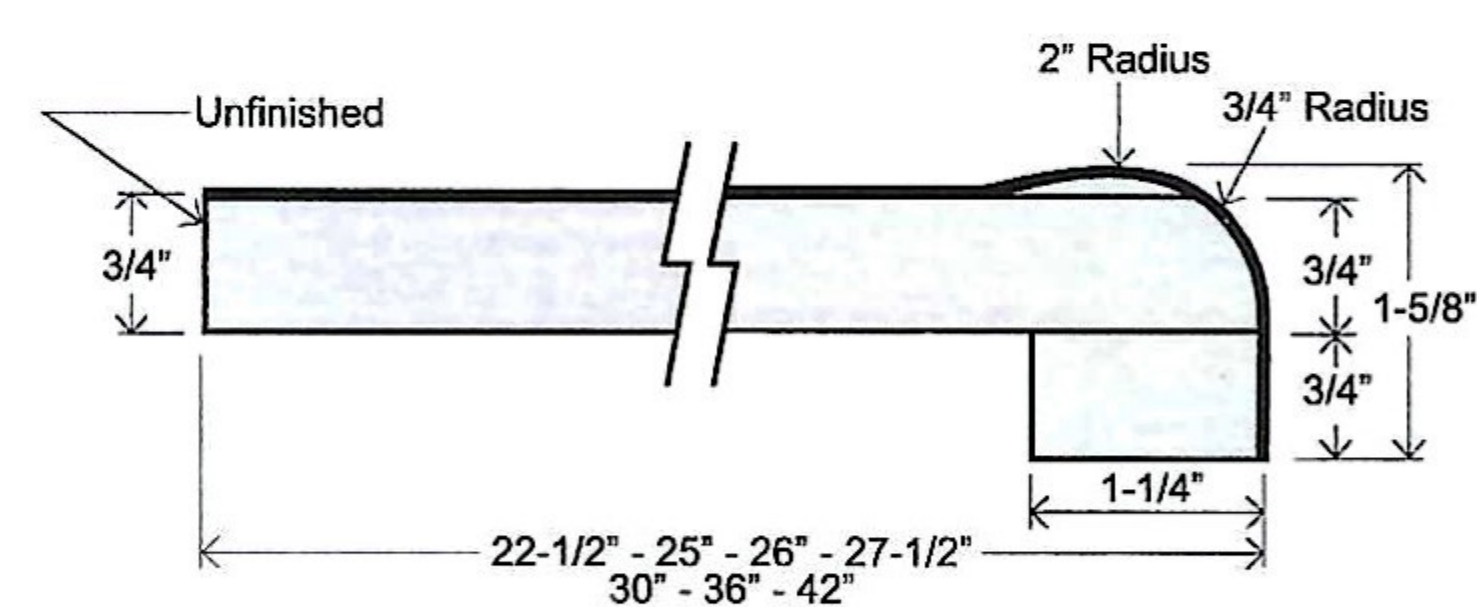


Kitchen & Vanity Top
 UFV 19
 UFV 22-1/2
 UFK 25 -1/4



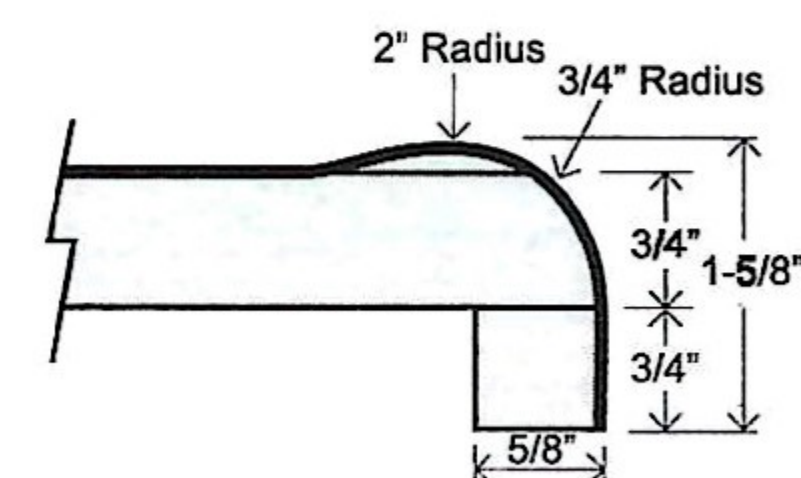
NOTE: 12", 15", 18" bars available in Waterfall style.

Bar Top
 UFB 27-1/2
 UFB 30
 UFB 36
 UFB 42



Flat Deck Top
 UFF 22-1/2
 UFF 25
 UFF 26
 UFF 27-1/2
 UFF 30
 UFF 36
 UFF 42

Bar Top
 UFB 26



***Kitchen & Vanity Top**
 UFV 22-1/2 S
 UFK 25 S

Exceptional quality laminate surfaces

For over 70 years, The L.E. Smith Company has worked hard to become one of the best laminate countertop manufacturers in the country. Today, that commitment is as strong as ever.

In addition to offering exceptional quality products, we are also committed to helping you improve profitability. A partnership with L.E. Smith means that you can focus on your highest profit return areas while we handle your laminate surface needs.