



THE



SMITH
COMPANY

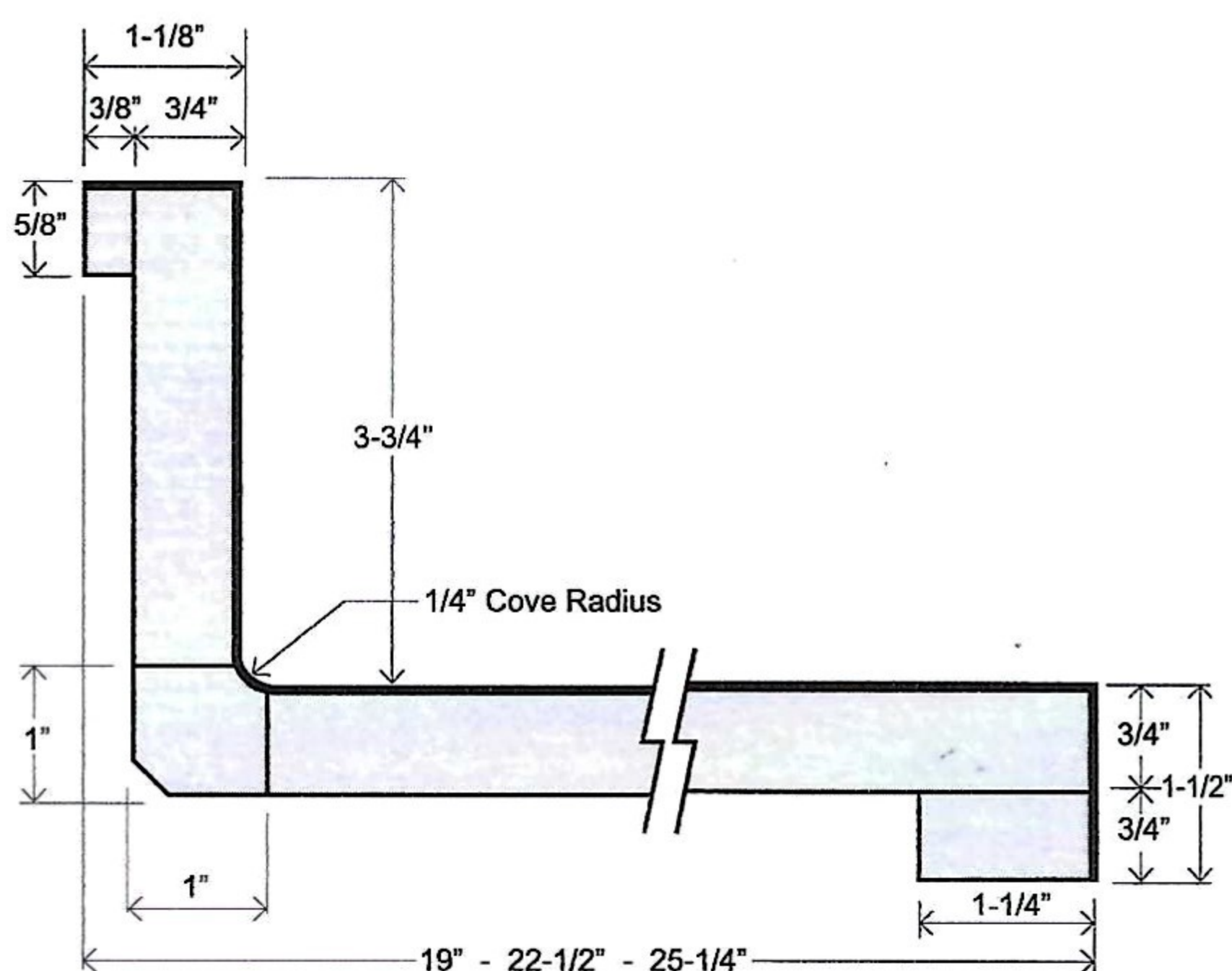
DURA-TOP

A contemporary design featuring self-edge front and cove self-edge backsplash. This refreshing style blends beautifully with today's modern appliances. Its dazzling design will enhance the beauty of any kitchen or bathroom giving it that ultimate look.

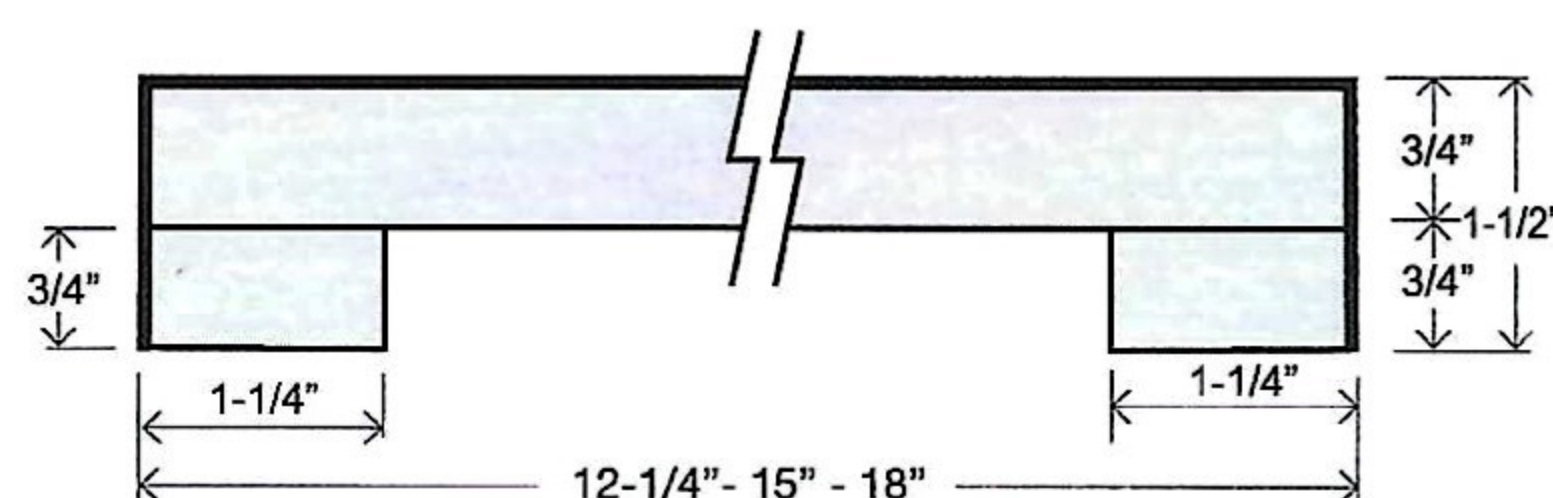


Features

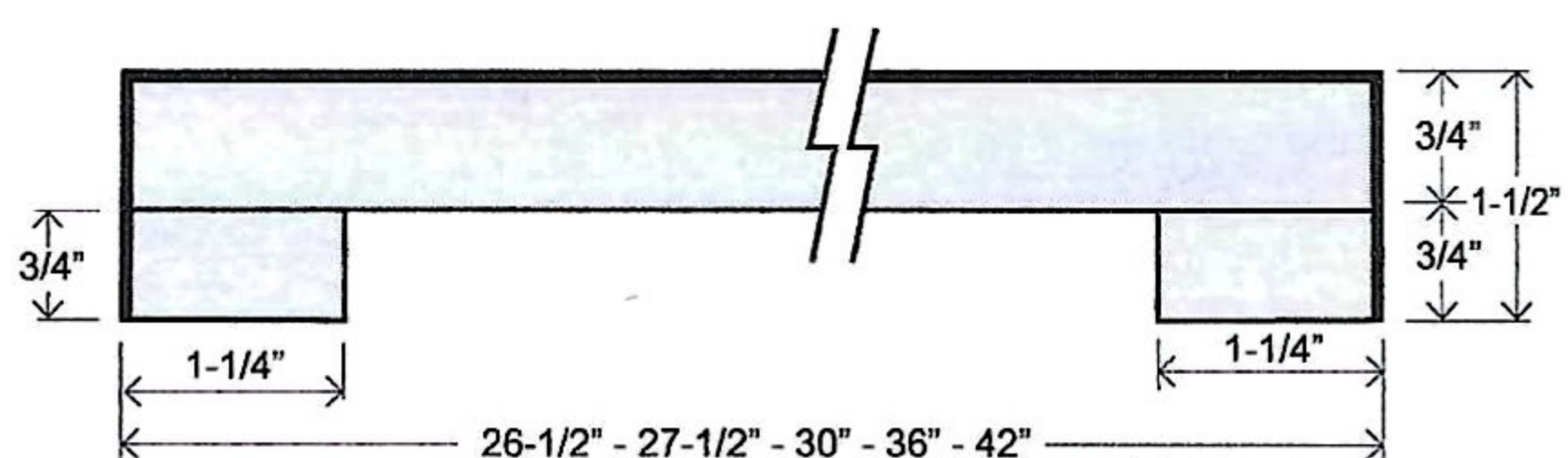
- 1-1/2" self-edge front nose, contemporary look
- 1/4" cove radius for easy cleaning
- Featuring 1"x1" cove molding
- 3/8" MDF scribe for fitting out-of-square walls
- 1-1/4" front build-up for floating countertop installation
- Kitchen and vanity tops feature 3-3/4" backsplash
- 26-1/2" standard bars self-edge both sides
- Wide bars are self-edge both sides
- Narrow bars are self-edge both sides
- Flat deck tops are self-edge front, raw back side



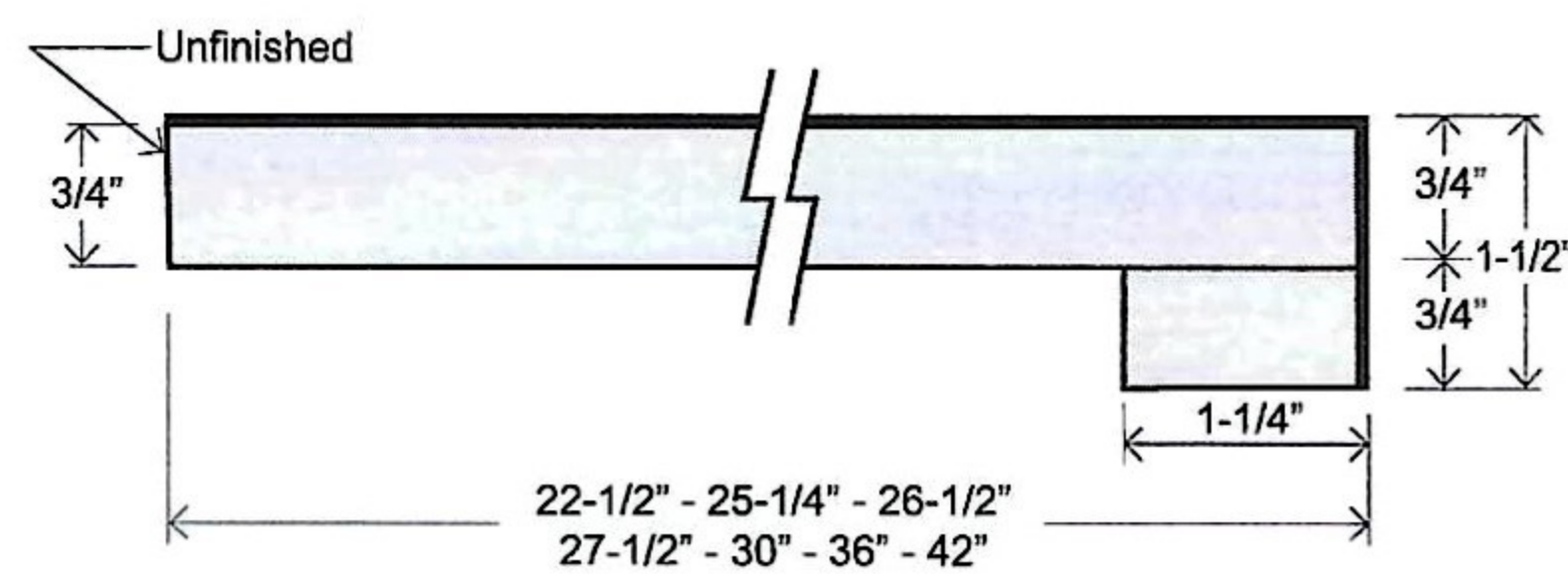
Kitchen & Vanity Top
DFV 19
DFV 22-1/2
DFK 25-1/4



Bar Top
DFB 12-1/4
DFB 15
DFB 18



Wide Bar Top
DFB 26-1/2
DFB 27-1/2
DFB 30
DFB 36
DFB 42



Flat Deck Top
DFF 22-1/2
DFF 25-1/4
DFF 26-1/2
DFF 27-1/2
DFF 30
DFF 36
DFF 42

Exceptional quality laminate surfaces

For over 70 years, The L.E. Smith Company has worked hard to become one of the best laminate countertop manufacturers in the country. Today, that commitment is as strong as ever.

In addition to offering exceptional quality products, we are also committed to helping you improve profitability. A partnership with L.E. Smith means that you can focus on your highest profit return areas while we handle your laminate surface needs.