



ULTRA-TOP WATERFALL

The smooth 1-1/2" thick front nose along with the 3/4" radius makes this the perfect countertop to complement today's modern look. The simplicity of this countertop will enhance the look of any room.

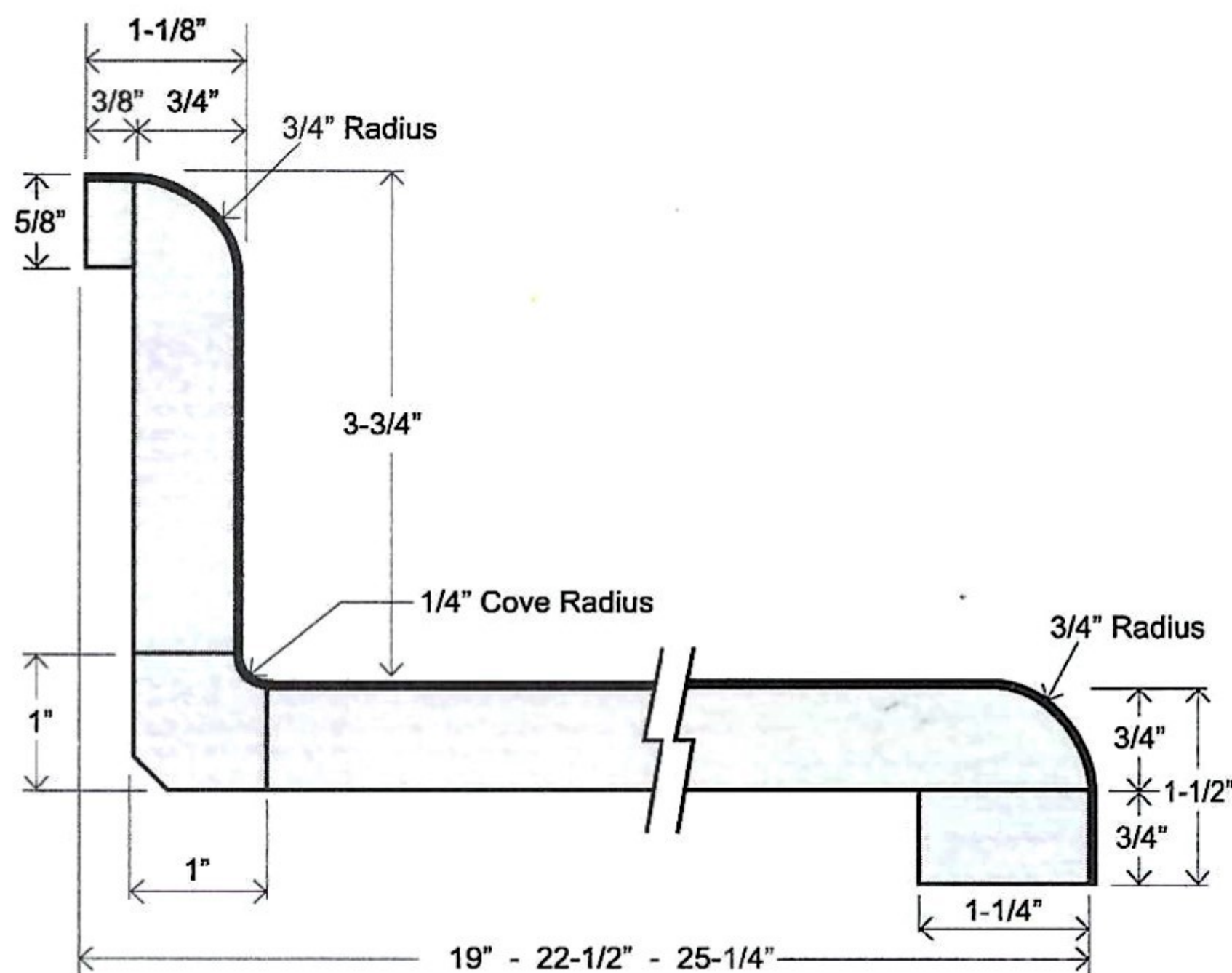


ULTRA-TOP WATERFALL

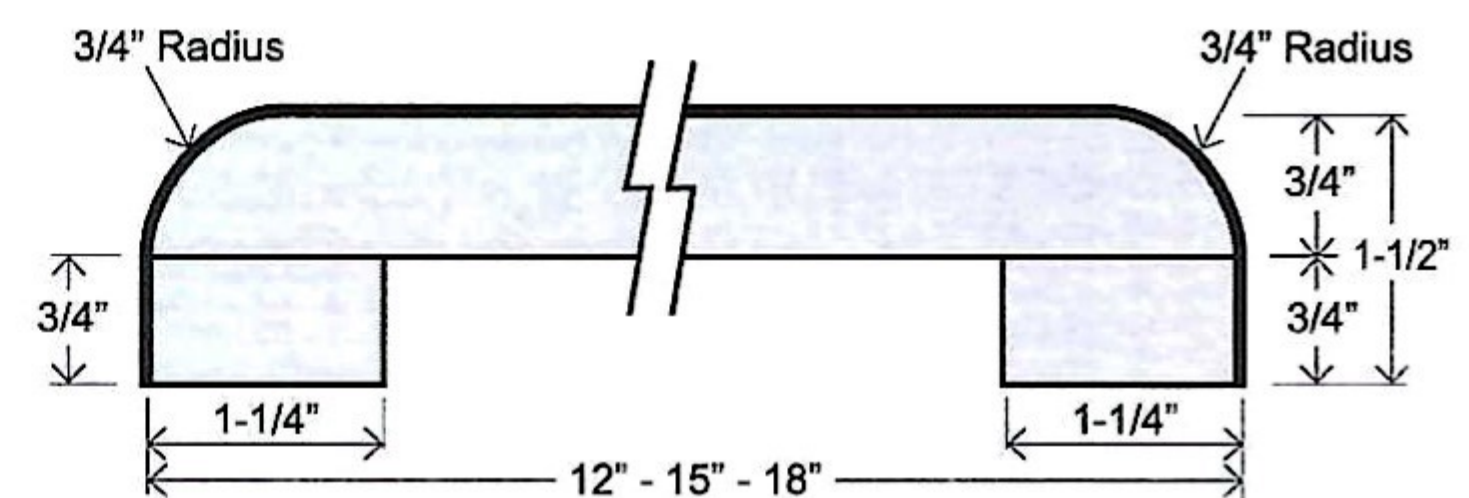


Features

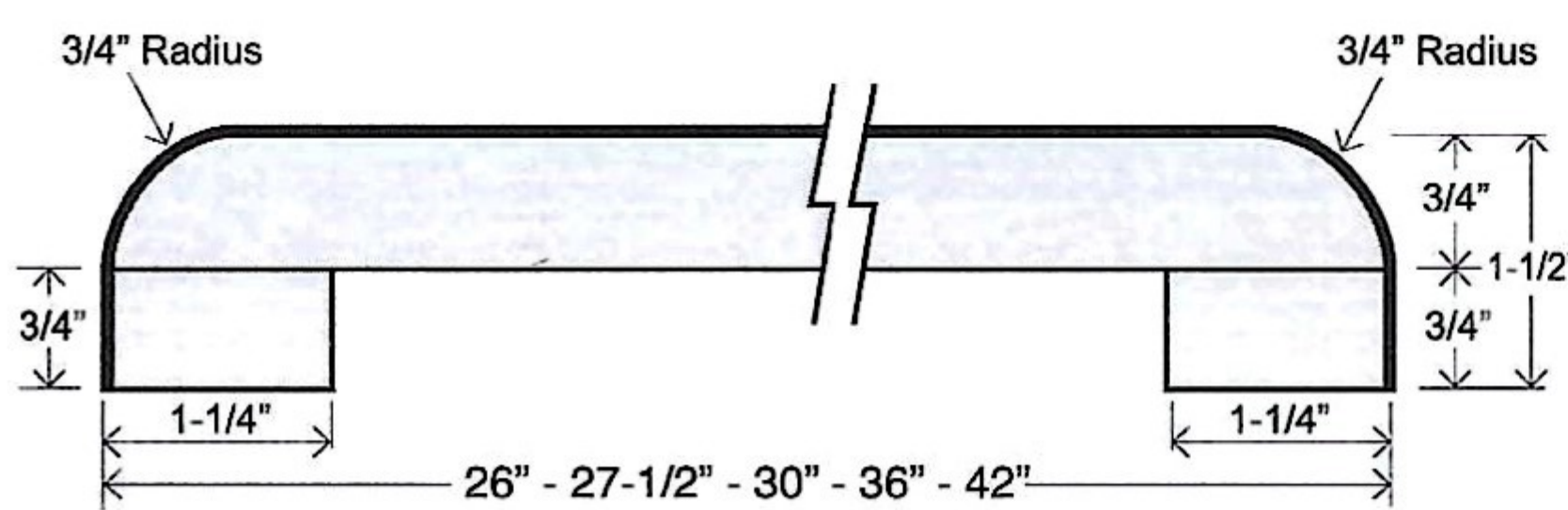
- 3/4" radius front nose 1-1/2" thick
- 1/4" cove radius for easy cleaning
- Featuring 1"x1" cove molding
- 3/8" MDF scribe for fitting out-of-square walls
- 1-1/4" front build-up for floating countertop installation
- Kitchen and vanity tops feature 3-3/4" backsplash
- Wide bars have 3/4" roll radius both sides
- Narrow bars have 3/4" roll radius both sides
- Flat deck tops have 3/4" roll front radius, unfinished back side



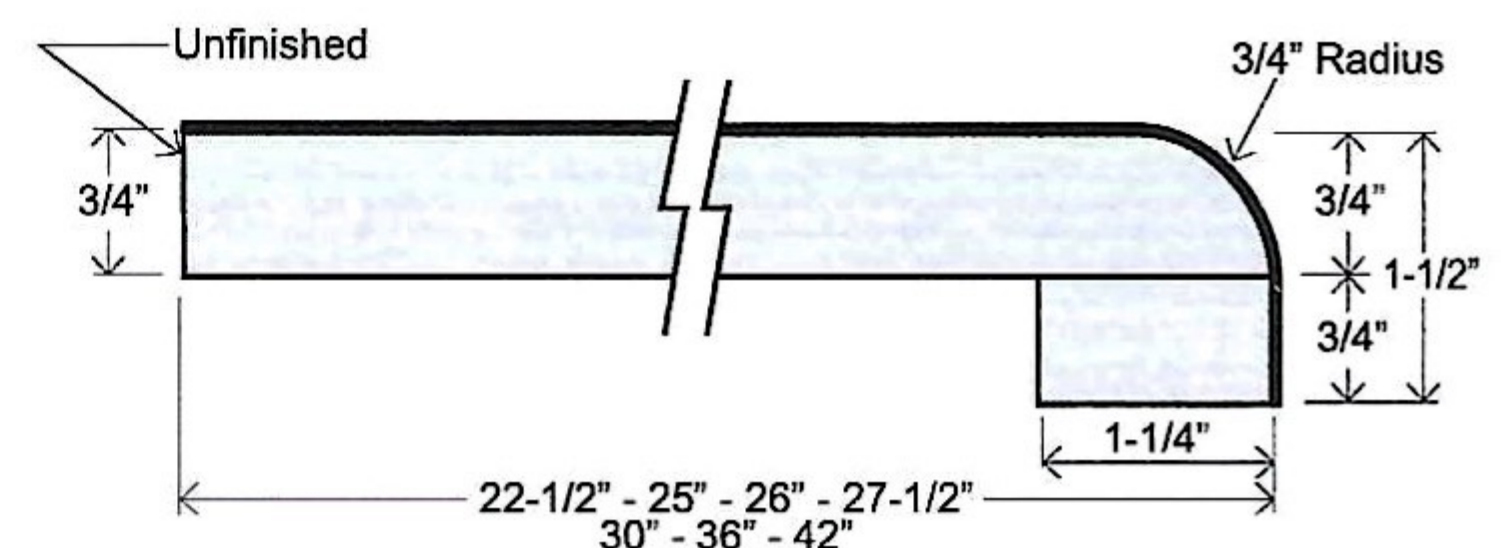
Kitchen & Vanity Top
WV3 19
WV3 22-1/2
WK3 25-1/4



Bar Top
WFB3 12
WFB3 15
WFB3 18



Bar Top
WFB3 26
WFB3 27-1/2
WFB3 30
WFB3 36
WFB3 42



Flat Deck Top
WFF3 22-1/2
WFF3 25
WFF3 26
WFF3 27-1/2
WFF3 30
WFF3 36
WFF3 42

Exceptional quality laminate surfaces

For over 70 years, The L.E. Smith Company has worked hard to become one of the best laminate countertop manufacturers in the country. Today, that commitment is as strong as ever.

In addition to offering exceptional quality products, we are also committed to helping you improve profitability. A partnership with L.E. Smith means that you can focus on your highest profit return areas while we handle your laminate surface needs.